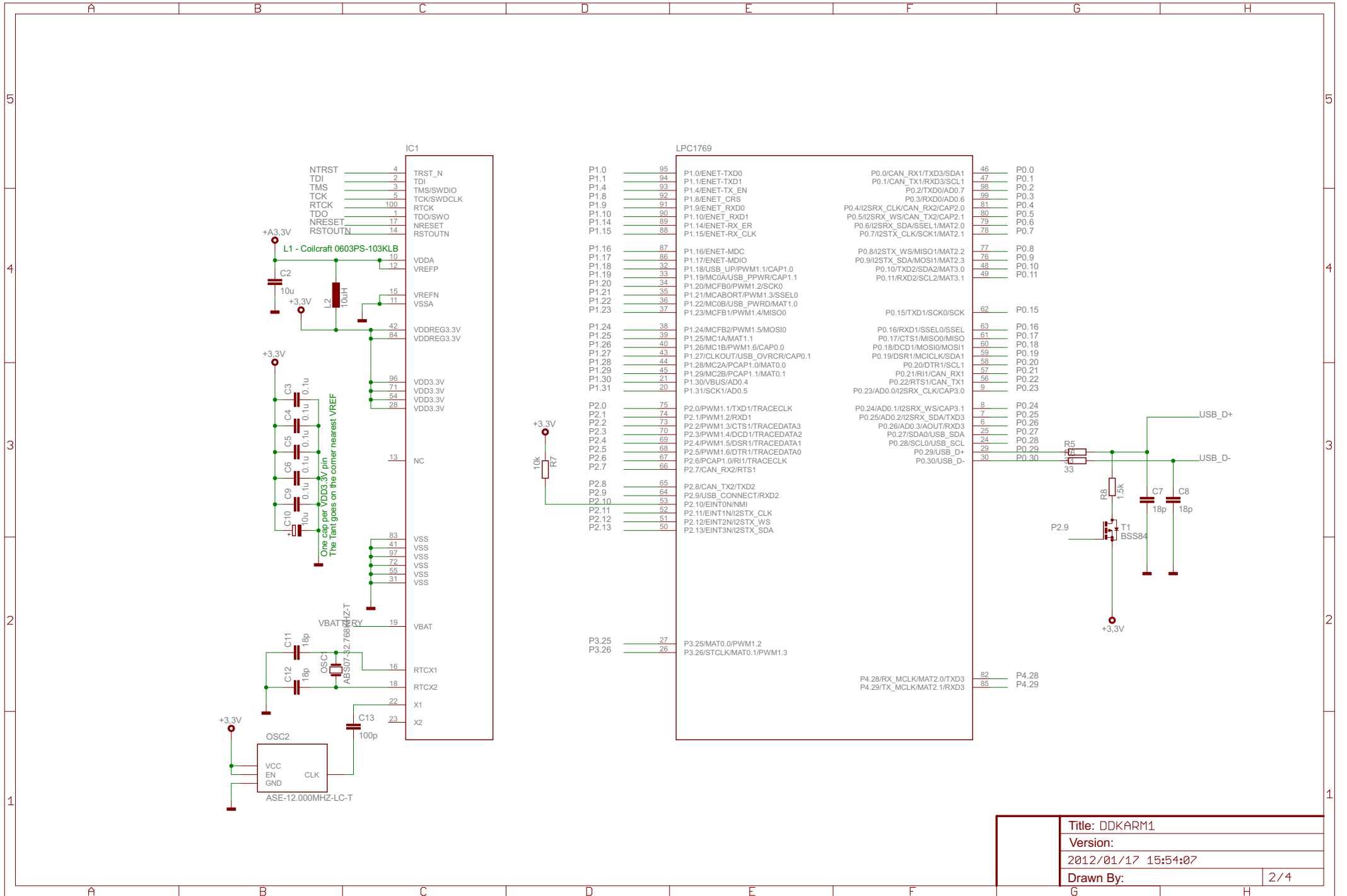
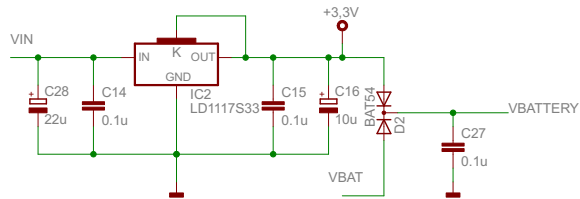


Title: DDKARM1	
Version:	
2012/01/17 15:54:07	
Drawn By:	1/4

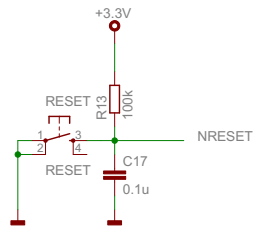
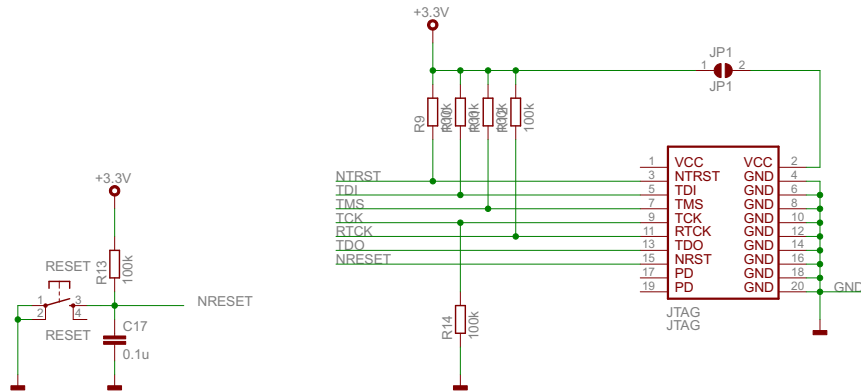


Title: DDKARM1	
Version:	
2012/01/17 15:54:07	
Drawn By:	2/4

Power Supply

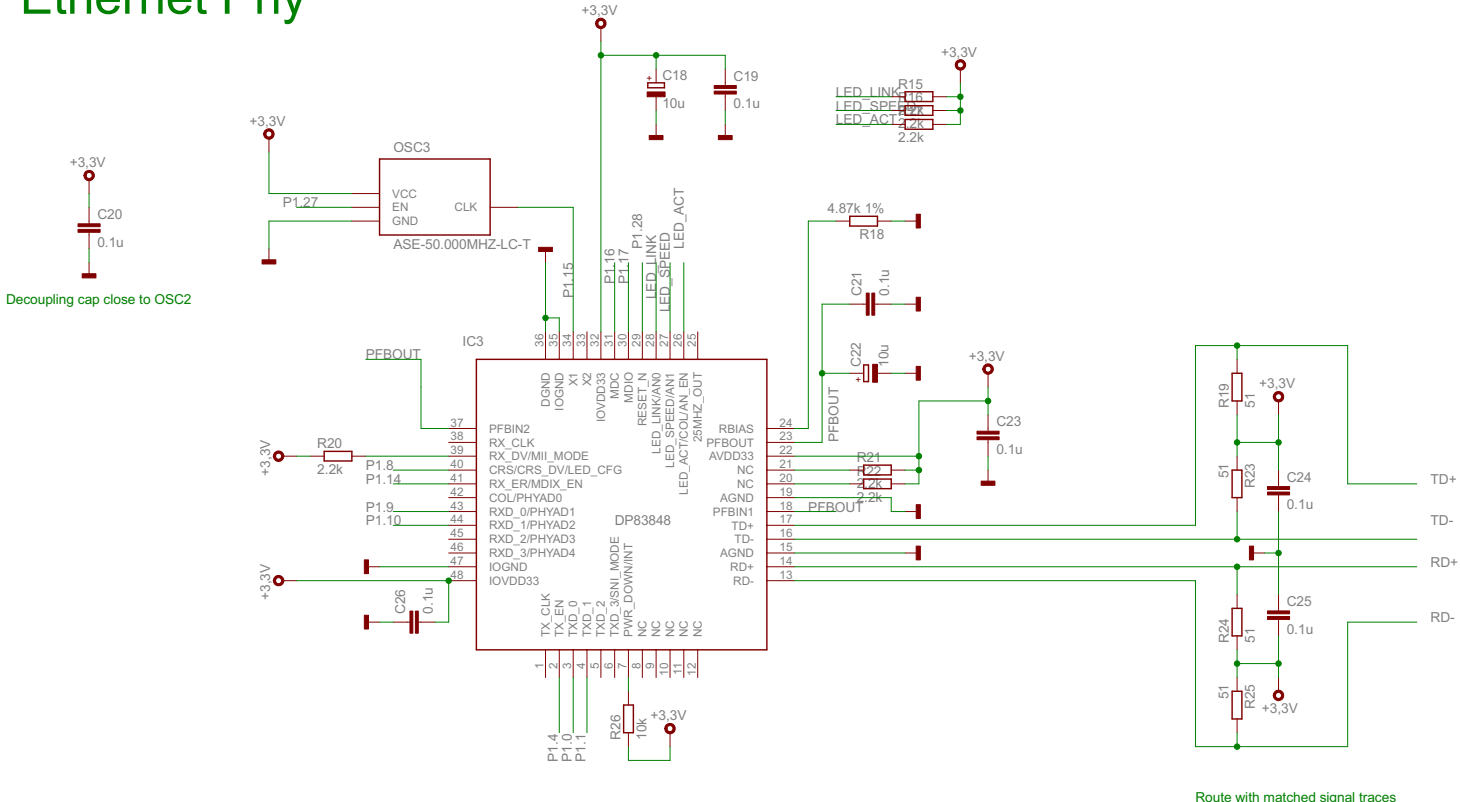


JTAG Interface



Title: DDKARM1	
Version:	
2012/01/17 15:54:07	
Drawn By:	3/4

Ethernet Phy



Decoupling cap close to OSC2

Route with matched signal traces

Title: DDKARM1	
Version:	
2012/01/17 15:54:07	
Drawn By:	4 / 4